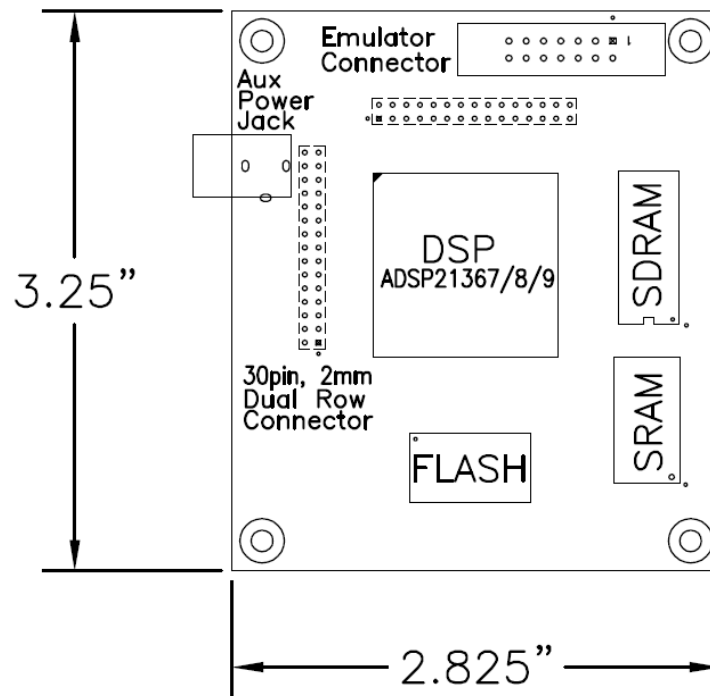


SHARC DSP Boards

Sharc Processor daughtercards with FLASH, SDRAM, power, clocking and connectors for use with AeVee I/O boards or custom designs. They can be powered from an external connector or from the host board connector. External Connectors on bottom of board connect to DSP I/O, JTAG Connection for EZ-ICE debug.

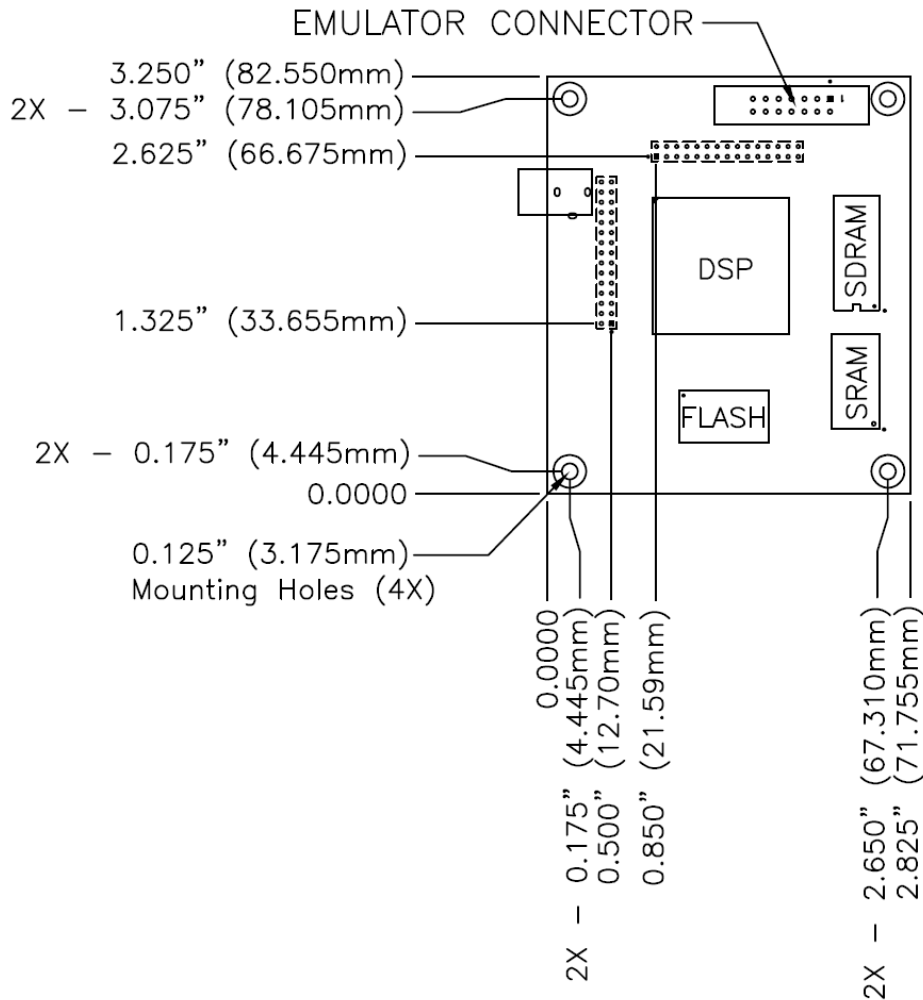


DSP21369 Board



Features:

- 1 ADSP21369 Processors running up to 400MHZ. Compatible with ADSP21367 & ADSP21368
- 8 MByte SDRAM up to 166MHz.
- 1 MByte SRAM
- 4 MByte Parallel Boot FLASH
- Audio Clock Generation multiples of 44.1kHz & 48kHz
- Powered from external 3.3V or 5V. All other necessary power regulated on board.
- RS232 Connection to Sharc UART.



DSP21367 BOARD REV 0

1. The mounting holes are designed to accommodate #4 standoffs and screws.

2. The two 30pin connector locations are populated with 3M 150230-6002-RB as a standard. That is a 30pin, 2mm space, dual row, and 0.177" height socket. The 3M 150230-6002-RB socket can be mated with any generic 2mm header with 0.020" square pins and a minimal post length of 0.043" (1.09mm).

AeVee's demo boards use Samtec TMM-115-01-T-D as mating headers. This mating provides a suitable combination for 0.250" height standoffs.